

# FIVC Swing Check Valve

Bronze – PN 20 – Screwed Cap – WRAS – ISO 228



FCH series

## Technical data

### Main features and materials

- Body: Bronze CC491K
- Cap: Bronze CC491K
- Disc: NBR rubber
- Hinge: Bronze CC491K
- USP: WRAS approval
- Standard: BS 5154

### Field of applications

- Max. temperature: 80 °C
- Max. working pressure: 20 bar
- Petrochemical industry
- Irrigation systems
- Mining and infrastructure industries
- Compressed air
- Textile industry
- Mechanical industry
- Other various industries

## Description

FIVC Swing Check Valve is designed as a single-direction device, which eliminates the return of pressurized fluid. Since these valves function via the gravitational force that acts on the tilting disc, there is no universal guideline as to where these should be positioned.

The advantage of these valves is the low incidence of losses of pressure due to the rounded shape of the valve body and the large passage section, which is obtained via the oscillation of the disc; these elements also mean that they are extremely quiet.

The valve can be used for Water, Oil, and Steam respectively.

## Alternative Product Versions

### Other Standards

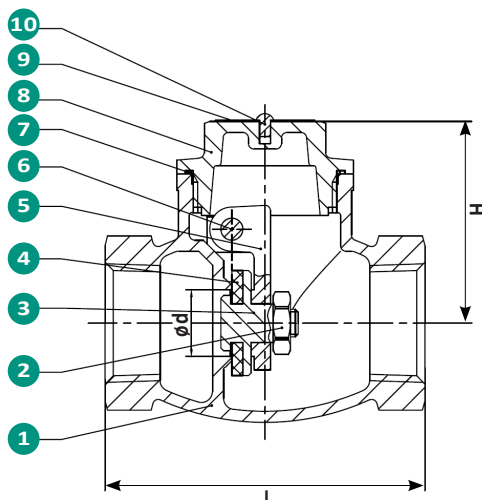
ANSI - ASME B1.20.1 - NPT  
ISO 7/1 threads

## Declaration

The product has been inspected and tested in accordance with the Sound Engineering Practice SEP. Acc. to the European PED Directive N° 2014/68/EU, dated 15/05/2014, the product is exempted from CE marking (Cf. Art. 4.3).



## Dimensions



## Product Information

Product code	Size (DN)	Ød*	L*	H*	Kg
FCH015O20CS1121	15	Ø12	58	58	-
<b>FCH020O20CS1121</b>	20	Ø18	66	66	-
FCH025O20CS1121	25	Ø24	76	76	-
FCH032O20CS1121	32	Ø30.6	88	88	-
FCH040O20CS1121	40	Ø37	96	96	-
FCH050O20CS1121	50	Ø48.6	112	112	-

\*Dimensions are in millimeters

## Product Specification

N°	Name	Material
1	Body	Bronze CC491K BS EN 1982
2	Hinge nut	Stainless Steel SS 304
3	Disc holder	Bronze CC491K BS EN 1982
4	Disc	NBR
5	Hinge	Bronze CC491K BS EN 1982
6	Hinge pin	Stainless Steel SS 304
7	Packing	PTFE
8	Cap	Bronze CC491K BS EN 1982
9	ID plate	Aluminium
10	Drive screw	TP2