



## Series FBV / EFBV

Class 600 / PN40

Threaded Ends BSP or NPT

Sizes : 1/2" - 2" (15mm-50mm)

Series FBV 2-Piece, Full Port, Bronze Ball Valves comply with MSS-SP-110 and feature a blow-out proof stem and virgin PTFE seats. The FBV full port design ensures maximum flow capacity and minimal pressure drop.

## Features

- Suitable for a full range of liquids and gasses.
- Minimal pressure drop due to full ports
- Blow-out proof design
- PN 40 rated
- 1/2" - 2" (15-50mm) Threaded end connections NPT to ASTM B1.20.1 or BSP Taper to BS EN 10226. (BS 21)
- WRAS Approved

## Pressure - Temperature

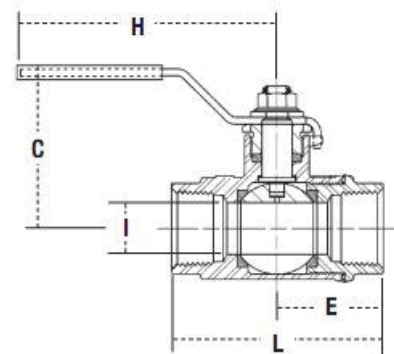
- 150 psi WSP
- 600 psi WOG non-shock

## Materials List

No.	Description	Material	ASTM
1	Body	Bronze	ASTM B62
2	Ball	Bronze Chrome plated.	ASTM B62
3	End cap	Bronze	ASTM B62
4	Thrust Washer	Brass	PTFE
5	Ball Seats	Teflon®	PTFE
6	Stem Packing	Brass	PTFE
7	Packing Gland	Brass	ASTM B16
8	Stem Packing	Brass	ASTM B16
9	Handle	Steel	ASTM A107
10	Handle Nut	Steel	ASTM A107
11	Sleeve	Vinyl	

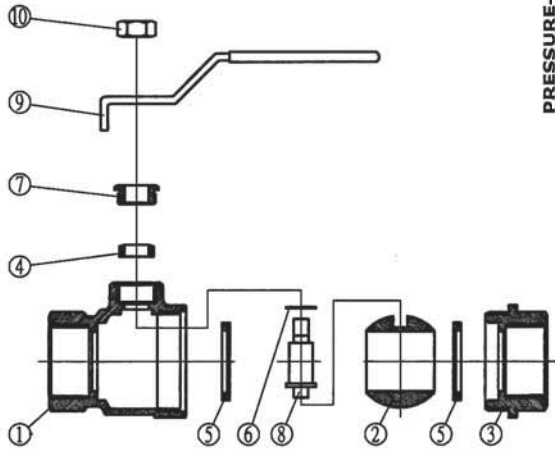
## Specification

A 2-piece full port bronze ball valve to be installed as indicated on the plans. The valve must have a bottom loaded blowout proof stem, adjustable packing nut, and chrome plated brass ball and brass stem. Valves with top loaded stems or without adjustable packing nuts are not acceptable. Valve must conform to MSS-SP-10 and shall be a Watts Regulator Company Series FBV (threaded).

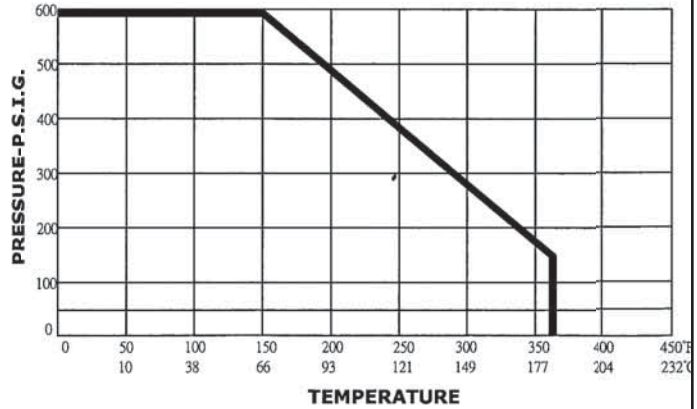


Size	L	C	H
1/2"	55.0	46.0	82.0
3/4"	62.0	55.0	103.0
1"	73.0	62.0	105.0
1 1/4"	82.5	70.0	106.0
1 1/2"	91.7	75.0	150.0
2"	106.5	82.0	160.0

# WATTS EFBV BRONZE BALL VALVE



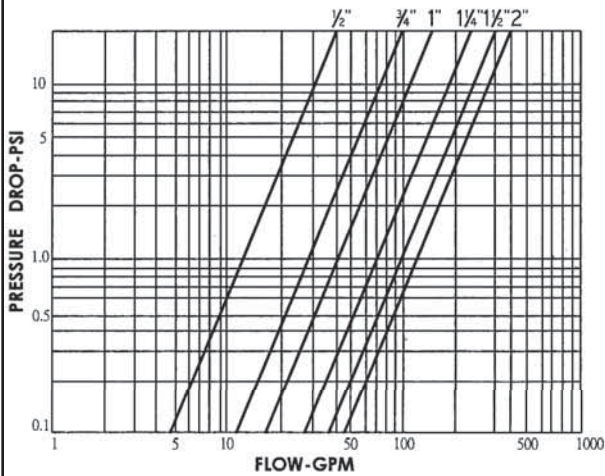
**PRESSURE TEMPERATURE RATIONIG**  
(Reference)



**FLOW COEFFICIENT FOR VALVE**  
(Reference)

SIZE	Cv (GPM 1psiΔP)	SIZE	Cv (GPM 1psiΔP)
1/2"	10	1 1/4"	57
3/4"	24	1 1/2"	73
1"	34	2"	134

**PRESSURE DROP**  
(Reference)



**HEAD LOSS**  
(Reference)

