

# FIVC Butterfly Valve

Ductile Iron – PN 25 – Lugged – Hand lever – Vulcanized – w/Pin – EN 1092-2



LUG series

## Technical data

### Main features and materials

- Body: Ductile Iron
- Disc: Ductile Iron
- Pin: Stainless Steel
- Stem: Stainless Steel
- Seat: Vulcanized EPDM
- Operation: 15° Notch hand lever in Malleable Iron
- Coating: RAL 5015
- USP: Dead-end/center service
- Standard: BS EN 593
- Dimensions: Face-to-Face acc. to BS EN 558 (series 20)
- Type:
  - Drilling: PN 25
  - Shaft: SS AISI 431
  - Thread: Metric
- Tests: Inspection test acc. to BS EN 12266-1

### Field of applications

- Temperature range: -15 to 120 °C
- Max. working pressure: 25 bar

- Petrochemical industry
- Irrigation systems
- Mining and infrastructure industries
- Shipyard industry
- Compressed air
- Textile industry
- Mechanical industry
- Steam applications
- Other various industries

## Description

FIVC Lugged Butterfly Valve is, with its vulcanized seat, designed to be installed in pipelines for isolating or regulating purposes. With its high quality rotational disc, the valve features quick shut-off function.

Due to the integrated pin in the disc, the butterfly valve features much higher strength and can work in higher pressure conditions.

The vulcanized seat ensures that the valve is both suitable for center service and end-of-line service. Furthermore, the valve can be closed and opened precisely because of the non-gap between the shaft and disc.

## Declaration

The product has been inspected and tested in accordance with the European PED Directive N° 2014/68/EU, dated 15/05/2014 and is CE marked.

## Alternative Product Versions

Disc	Construction	Seat	Operation
<ul style="list-style-type: none"> <li>• Stainless Steel</li> <li>• Alu-Bronze</li> </ul>	<ul style="list-style-type: none"> <li>• Pinless</li> </ul>	<ul style="list-style-type: none"> <li>• Replaceable</li> <li>• Other operations upon request</li> </ul>	<ul style="list-style-type: none"> <li>• Gearbox</li> <li>• Other operations upon request</li> </ul>
Threading	Drilling	PN	Size
<ul style="list-style-type: none"> <li>• UNC</li> <li>• Whitworth</li> </ul>	<ul style="list-style-type: none"> <li>• PN 16</li> <li>• PN 20</li> </ul>	<ul style="list-style-type: none"> <li>• PN 16</li> <li>• PN 20</li> </ul>	<ul style="list-style-type: none"> <li>• DN 40+</li> </ul>

## Product Information

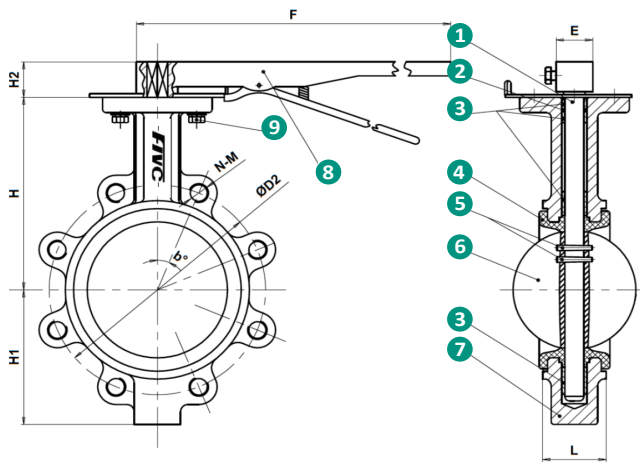
Product code	Size (DN)	H*	H1*	H2*	L*	ØD2*	N-M*	B°*	E*	F*	Kg	OTV (N.m)	BTV (N.m)
LUGN30040MNEPV2529	40	105	73	32	33	110	4-M16	45	35	223	5.2	23	86
LUGN30050MNEPV2529	50	130	85	32	33	125	4-M16	45	35	223	5.7	23	86
LUGN30065MNEPV2529	65	140	94	32	46	145	8-M16	22.5	35	223	7.5	26	86
LUGN30080MNEPV2529	80	145	105	32	46	160	8-M16	22.5	35	223	8	35	86
LUGN30100MNEPV2529	100	160	126	32	52	190	8-M20	22.5	35	223	12.3	60	169
LUGN30125MNEPV2529	125	170	140	32	56	220	8-M24	22.5	35	223	16.1	93	291
LUGN30150MNEPV2529	150	190	151	32	56	250	8-M24	22.5	35	223	18.6	153	291

\*Dimensions are in millimeters • OTV: Operation Torque Value • BTV: Breaking Torque Value

# FIVC Butterfly Valve

Ductile Iron – PN 25 – Lugged – Hand lever – Vulcanized – w/Pin – EN 1092-2

## Dimensions



## Product Specification

N°	Name	Material
1	Stem	Stainless Steel SS 431
2	O-Ring	NBR
3	Bushing	Brass C836600 + C37700
4	Seat	Vulcanized EPDM
5	Pin	Stainless Steel SS 316
6	Disc	Ductile Iron GGG 40
7	Body	Ductile Iron GGG 40
8	Handle	Malleable Iron
9	Bolt	Stainless Steel SS 316